



**SOUTHWEST**  
**BUSINESS PRODUCTS LTD.**

From Bindings to Branding



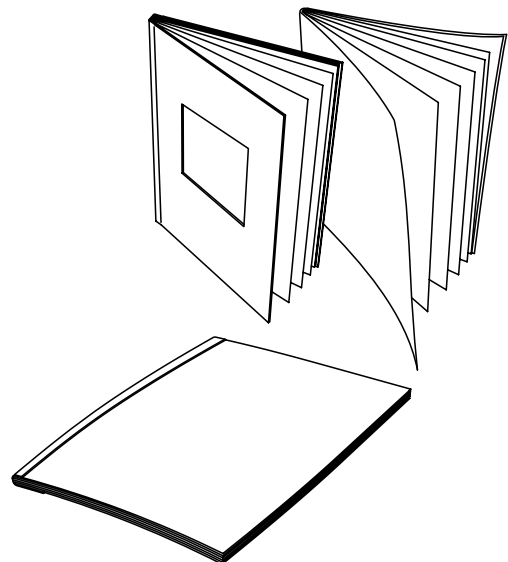
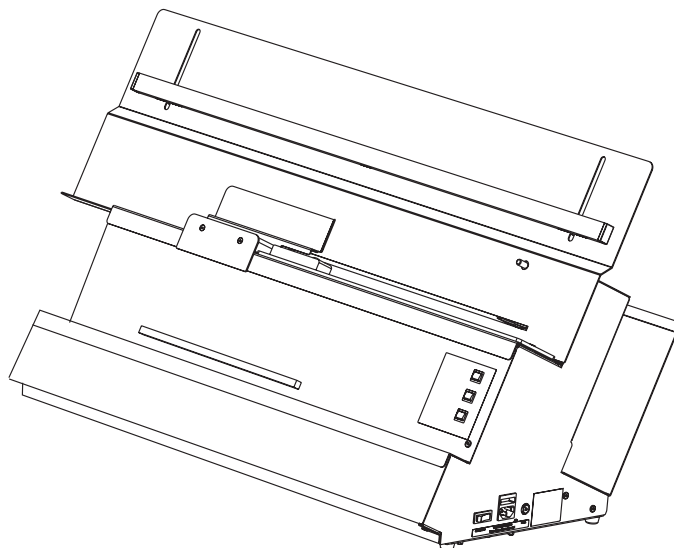
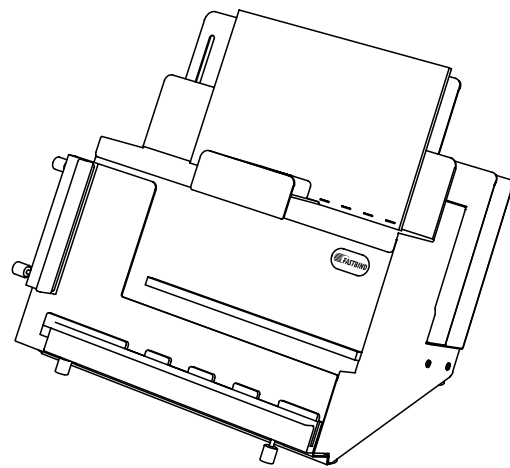
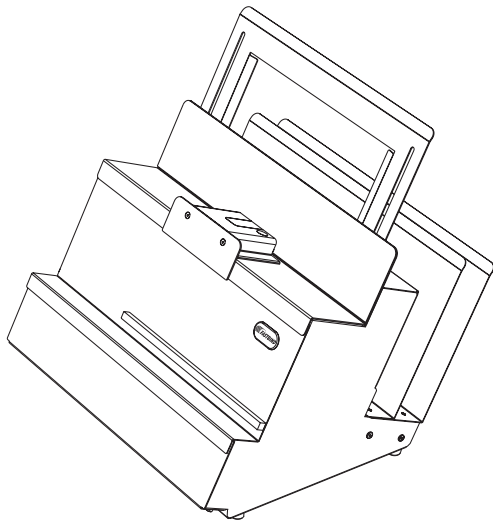
Versatile Binding Machine

**BooXTer Uno™**

**BooXTer Duo™**

**BooXTer Trio™**

USER MANUAL



# TABLE OF CONTENTS

1. INTRODUCTION	3
2. SPECIFICATIONS	4
3. MAIN PARTS AND CONTROLS	5
4. INSTALLATION	7
5. SUPPLIES	9
6. SAFETY	10
7. GOOD TO KNOW	11
8. HOW TO BIND YOUR BOOK (BOOXTER UNO/DUO)	12
9. HOW TO BIND YOUR BOOK (BOOXTER TRIO)	14
10. HOW TO WRAP THE STRIP	16
11. HOW TO ADJUST THE COVERING UNIT	17
12. HOW TO MOUNT THE HARD COVER	18
13. HOW TO MOUNT THE SOFT COVER	21
14. TROUBLESHOOTING	23
15. INTELLECTUAL PROPERTY RIGHTS AND WARRANTY	24
14. DECLARATION OF CONFORMITY	25

# 1. INTRODUCTION

---

## PRECISION SIDE-STAPLING

---

Fastbind precision side-staple binding machines take a simple concept, electronic stapling, and turn it into one of the most economical and versatile book binding solutions on the market. Ideally suited for photo book binding, they can also be used for company reports, handouts, catalogues, yearbooks, and much more. The bound books can be easily completed with a variety of cover options, including printed hard or soft covers, pre-made covers, and simple strip backs.

Their unique side-stapling method ensures precise, consistent placement of staples along the spine of your paper block. Built-in shelves at the back of the unit can be used to keep your supplies ready at hand. With the steady positioning surface and adjustable back support, a typical A4 paper block can be bound in less than 10 seconds.

Fastbind precision side-staple binding machines produce extremely strong bindings quickly and easily. They require no adjustments when changing format or thickness. Using flat clinch staples, the powerful electric stapling head binds a wide range of formats. You can bind books with photo paper and coated stock as easily as normal copy paper. The result is always a strong, square and clean bind.

## 2. SPECIFICATIONS

### BooXTer Uno and Duo

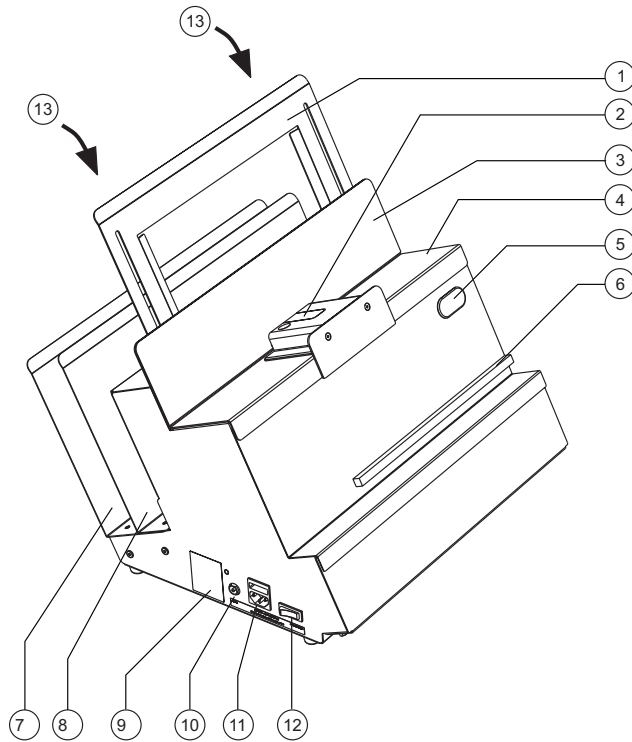
<b>Binding method</b>	Precision side stapling
<b>Staple type <sup>1)</sup></b>	Flat clinch; 5000 staples per cassette Staple No. 10 for normal stock Staple No. 8 for coated stock
<b>Standard cover options</b>	Stripe backs, printed soft covers and binding without cover
<b>Extended cover options</b>	Standard and printed hard covers (cover setter sold separately)
<b>Binding length</b>	max 450 mm / 17.7 inches
<b>Binding thickness <sup>2)</sup></b>	Normal stock up to 8 mm / 0,3"; coated stock up to 5 mm / 0,2"
<b>Electrical specifications</b>	100-240 VAC, 50/60 Hz, 1.3 A
<b>Machine dimensions (W x D x H)</b>	46 x 43 x35 cm / 18.2 x 17 x 18.8 inches
<b>Package dimensions (W x D x H)</b>	56 x 56 40 cm / 22 x 22 x 15.8 inches
<b>Weight</b>	Net 14 kg / 31 lbs
<b>Approvals</b>	CE
1) One No. 10 cassette included	
2) Maximum thickness depends on paper material properties	

### BooXTer Trio

<b>Binding method</b>	Precision side stapling
<b>Staple type <sup>1)</sup></b>	Flat clinch; 5000 staples per cassette Staple No. 10 for normal stock Staple No. 8 for coated stock
<b>Standard cover options</b>	Stripe backs, printed soft covers and binding without cover
<b>Extended cover options</b>	Standard and printed hard covers (cover setter sold separately)
<b>Binding length</b>	max 320 mm / 12.6 inches
<b>Binding thickness <sup>2)</sup></b>	Normal stock up to 8 mm / 0,3"; coated stock up to 5 mm / 0,2"
<b>Electrical specifications</b>	100-240 VAC, 50/60 Hz, 1.3 A
<b>Machine dimensions (W x D x H)</b>	98 x 47 x 50 cm / 38.4 x 18.3 x 19.5 inches
<b>Package dimensions (W x D x H)</b>	109 x 58 x 62 cm / 42.6 x 22.7 x 24.4 inches
<b>Weight</b>	Net 26 kg / 57 lbs
<b>Approvals</b>	CE
1) One No. 10 cassette included	
2) Maximum thickness depends on paper material properties	

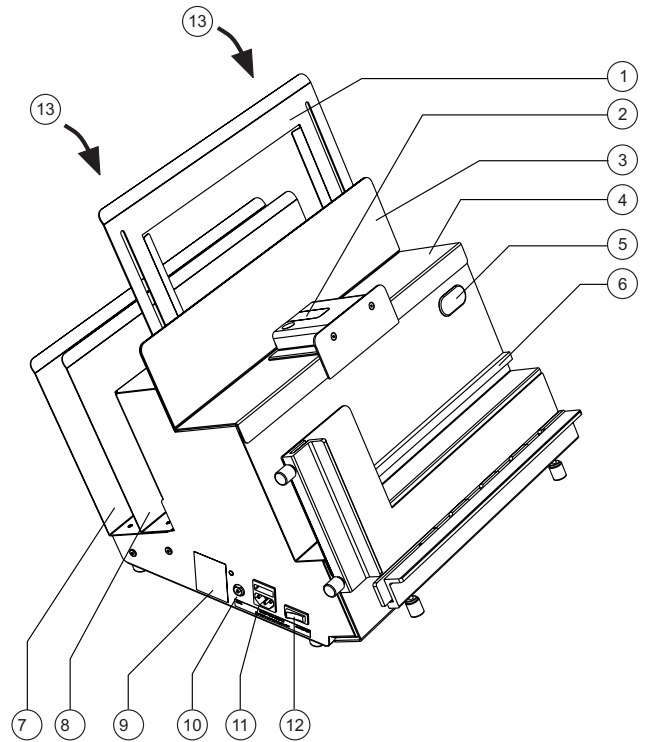
# 3. MAIN PARTS AND CONTROLS

## BOOXTER UNO



- 1. Adjustable back support
- 2. Safety cover, stapling unit, staple cassette and operating light
- 3. Back support
- 4. Positioning deck
- 5. Power on -light
- 6. Support lath
- 7+8. Supply shelf
- 9. Type plate (serial number)

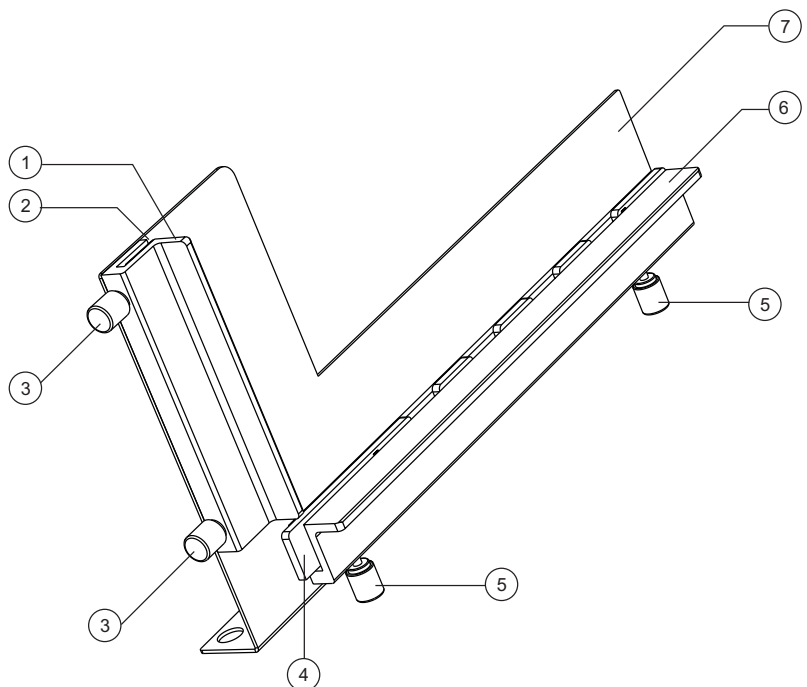
## BOOXTER DUO



- 10. Foot pedal connector
- 11. AC IN connector and main fuse
- 12. Power switch
- 13. Thumb screws

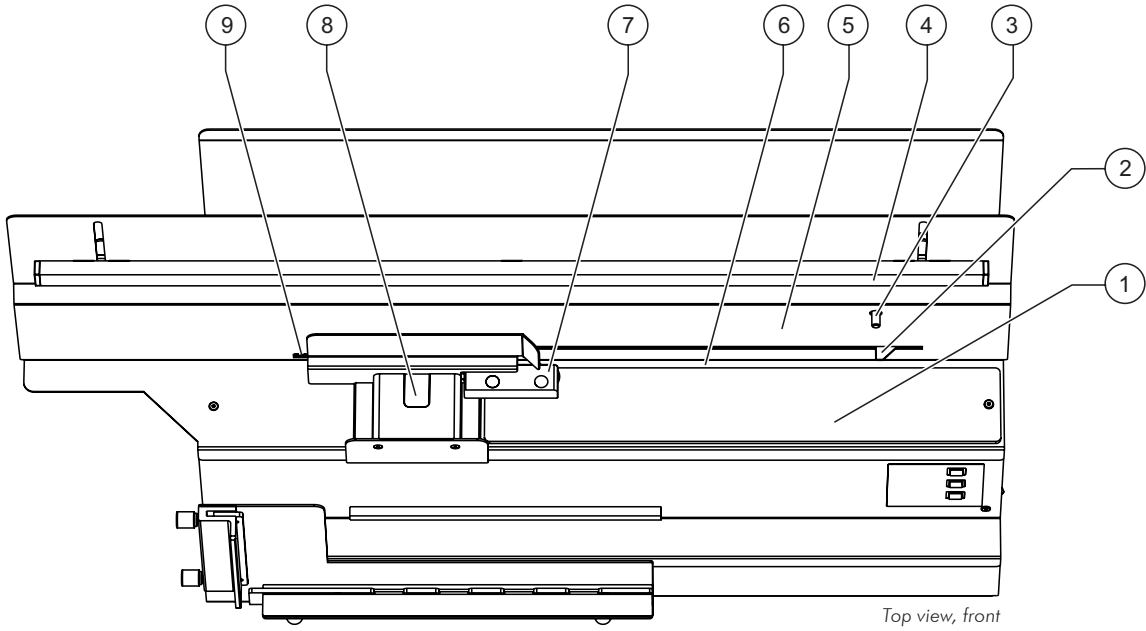
## COVER SETTER (UNO/TRIO ACCESSORY, DUO STANDARD)

- 1. Fixed side guide
- 2. Adjustable side guide
- 3. Adjustment screws
- 4. Adjustable bottom guide
- 5. Adjustment screws
- 6. Fixed bottom guide
- 7. Cover setter back support



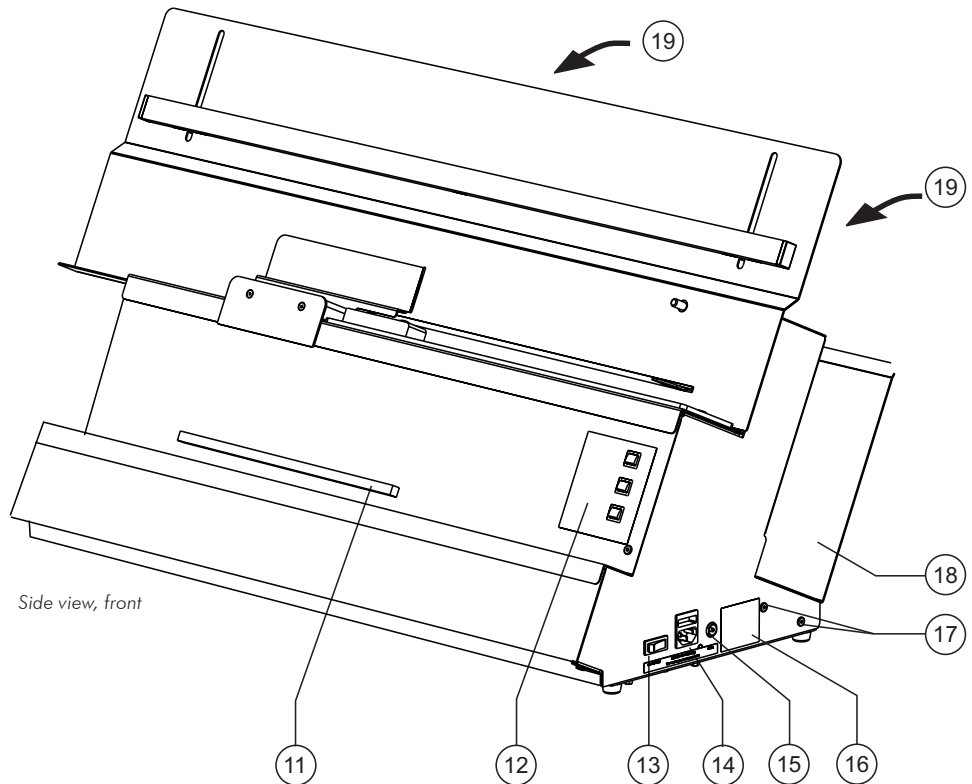
3. MAIN PARTS AND CONTROLS

BOOXTER TRIO



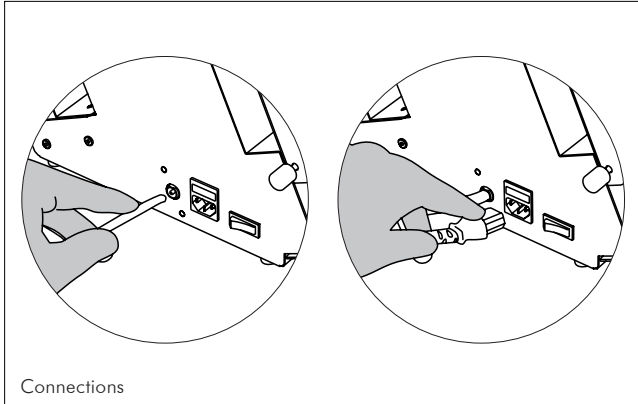
- 1. Worktop (plastic)
- 2. Carriage
- 3. Paper guide
- 4. Adjustable back support
- 5. Fixed back support
- 6. Positioning deck
- 7. Guide bracket
- 8. Safety cover, stapling unit, staple cassette and operating light
- 9. Detection sensor

- 11. Support lath
- 12. Control panel
- 13. Main switch
- 14. AC IN connector and main fuse
- 15. Foot pedal connector
- 16. Type plate and serial number
- 17. Screws (shelf)
- 18. Supply shelf
- 19. Thumb screws



## 4. INSTALLATION

# 4. INSTALLATION

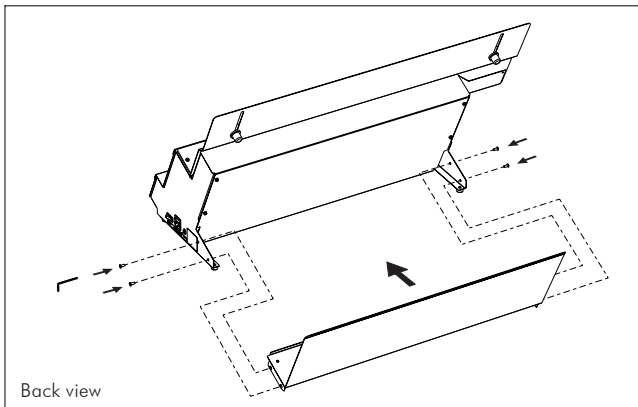


### CONNECTIONS

Install the machine on a stable horizontal surface, close to a power outlet. Before lifting, note the machine weight.

Leave enough free space on each side of the machine to organize your work and materials

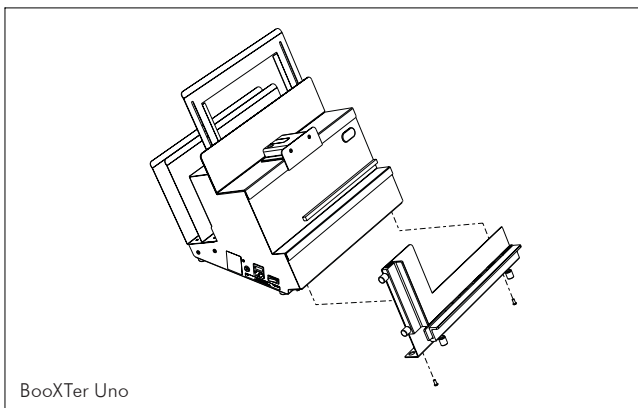
Connect foot pedal and power cord. Connect power cord only to grounded power supply (100-240V AC, 50/60 Hz).



### SUPPLY SHELF (BOOXTER TRIO ONLY)

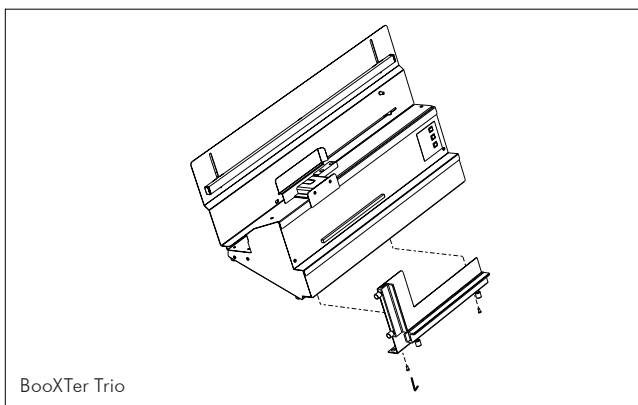
To reduce shipping volume, the supply shelf is mounted backwards for transportation. Remove the supply shelf, turn it around and reattach it before using the machine.

- open and remove 4 screws using allen key
- remove the supply shelf, any packing material
- turn the supply shelf around and fasten it with screws



### COVER SETTER ACCESSORY (BOOXTER UNO AND TRIO)

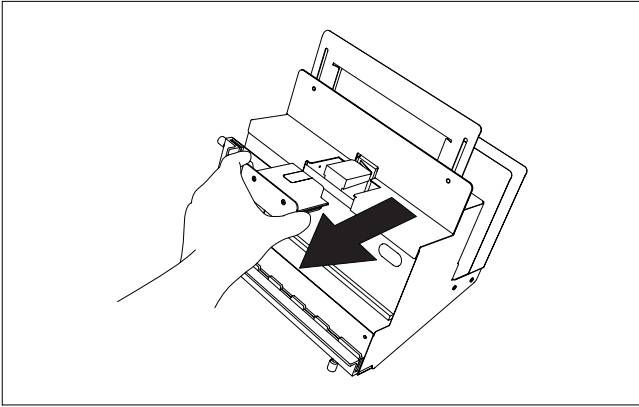
Fasten cover setter with two screws using allen key.



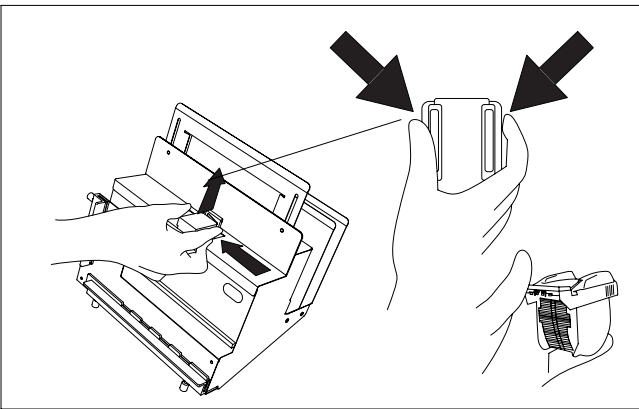
## 4. INSTALLATION

### STAPLE CASSETTE INSTALLATION & REMOVAL

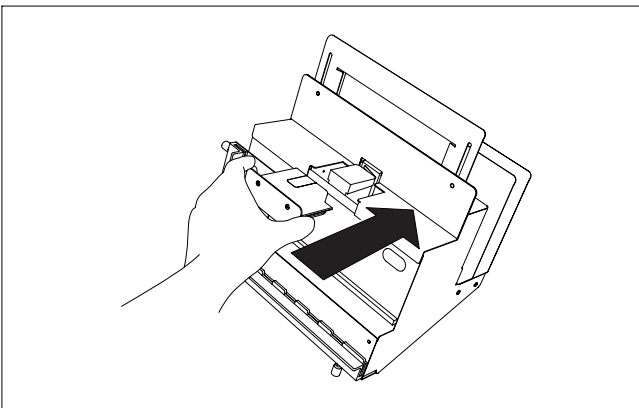
Pull the safety cover out.



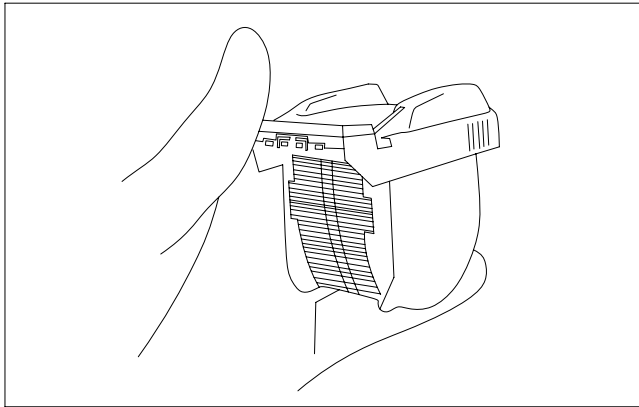
Press the cassette from the sides and insert/remove.



Replace safety cover.



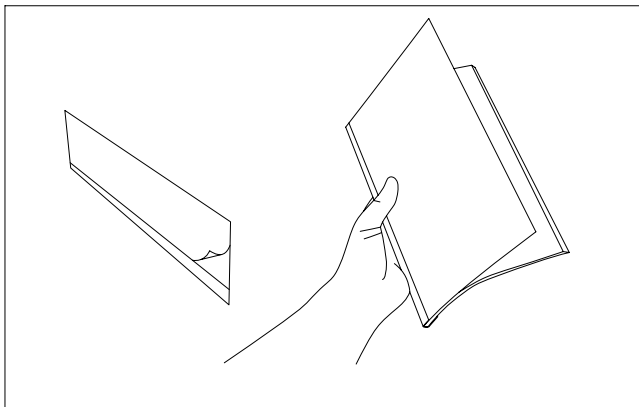
## 5. SUPPLIES



### BooXTer Uno/Duo/Trio CASSETTES

Cassette contains 5000 staples. There is two different cassette types are available:

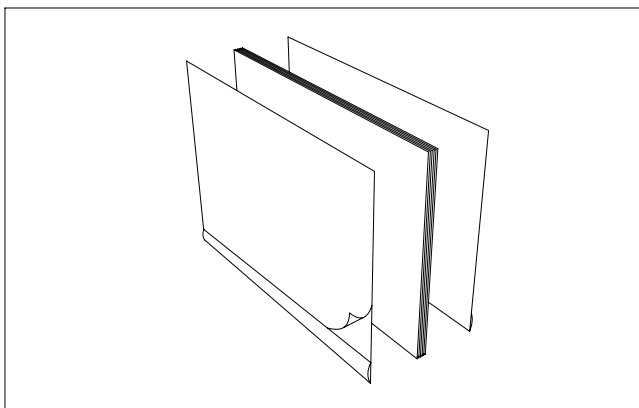
- Use No 10 cassette for office papers and bind up to 8 mm thick paper blocks (depends on materials).
- Use No 8 cassette for digital color papers and photo papers and bind up to 5 mm thick blocks (depends on materials).



### BooXTer Uno/Duo/Trio STRIP

BooXTer Uno/Duo/Trio strips are used for strip back bindings and available in different lengths.

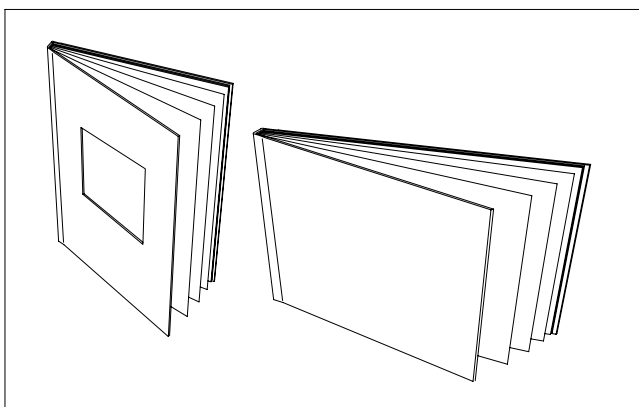
Note that strip refers to BooXTer Uno/Duo/Trio strip in this user manual. These are not compatible with other Fastbind strip products for perfect binding purposes.



### BooXTer Uno/Duo/Trio END SHEETS

BooXTer Uno/Duo/Trio end sheets are used for hard- and soft cover binding. They attach the cover to the block and provide a clean, elegant and professional appearance. They are available in different sizes and colors, with or without a window.

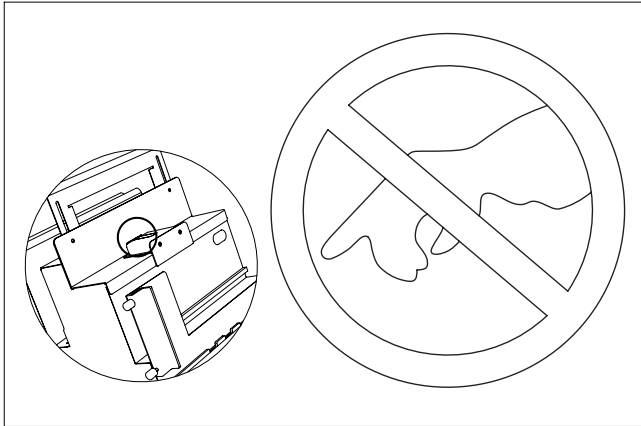
Note that end sheet refers to BooXTer Uno/Duo/Trio end sheets only in this user manual. Fastbind Fotomount end sheets refers to different product.



### BooXTer Uno/Duo/Trio HARD COVERS

Hard covers are available in different sizes, with and without window.

## 6. SAFETY



---

### GENERAL SAFETY GUIDELINES

---

Before installing and operating this machine, study carefully all safety instructions and recommendations in this user manual. Store this document within easy reach of personnel operating or maintaining the unit.

Do not place hands or anything else except paper block or binding supplies near the stapling area.

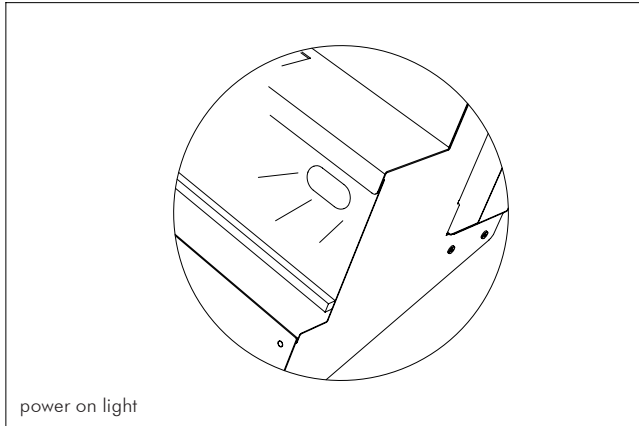
Never damage, modify or place heavy objects on the power cord. Do not use the machine if the power cord is bundled, knotted or damaged. When unplugging the power cord, always grasp the plug to pull it out.

Switch off the unit and pull out the main plug prior to all cleaning and maintenance.

Do not attempt to alter or modify the machine. It contains high voltage components and unexpected faults or electric shock might occur. Modification will invalidate the warranty.

Use only original Fastbind accessories and spare parts approved by the manufacturer to ensure that the unit can be operated safely. For service and maintenance, contact your Fastbind authorized service outlet.

## 7. GOOD TO KNOW



### POWER AND WORKING LIGHTS

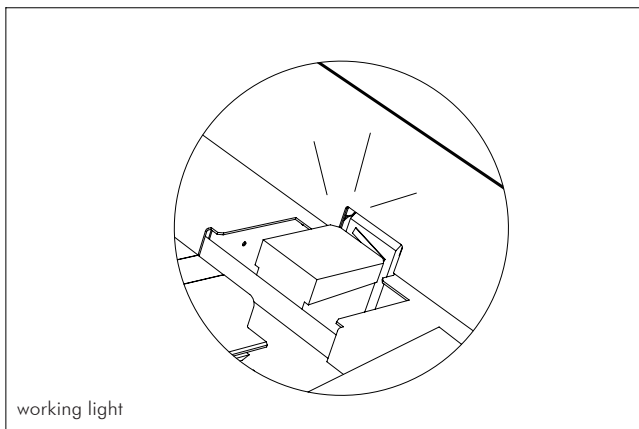
Machine equipped with a power light and a working light.

Power light of BooXTer Uno/Duo:

- power on: light on
- power off: light off

Power light of BooXTer Trio:

- Trio does not have a separate power indicator. If any of the control panel LEDs is lit, power is on.

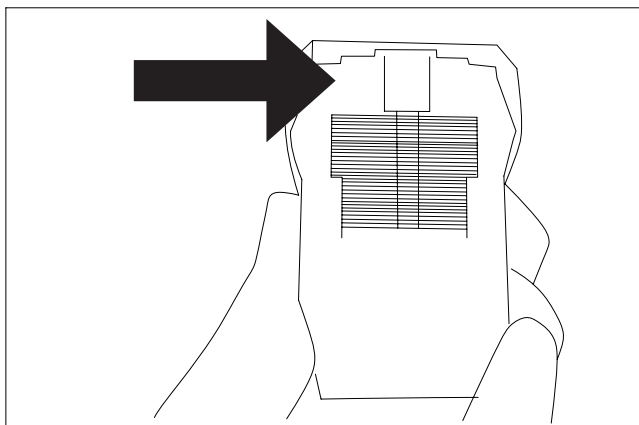
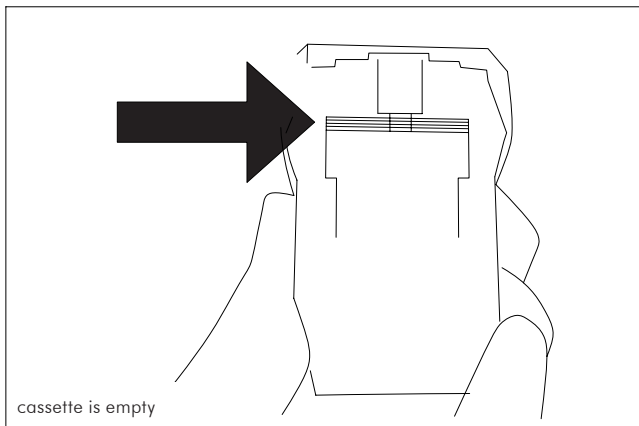


Working light:

The working light illuminates the stapling area. When the machine is ready to use, the working light is on. The machine is not ready if:

- the power is off
- the safety cover is not placed properly
- the cassette is not placed properly
- the cassette is empty

The working light also switches off when the cassette is nearly empty. In this case, even though the working light is off, you can use the remaining staples from the cassette normally.



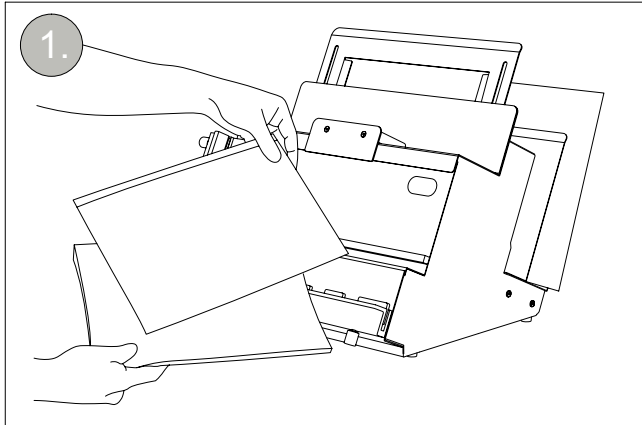
### HOW TO HANDLE STAPLE CASSETTES

We recommend to store your cassettes in their original packages.

Handle the stapling head gently; do not remove the pre-bent staple. This could cause permanent damage to the cassette.

Before transportation, remove the cassette from the machine and store it separately.

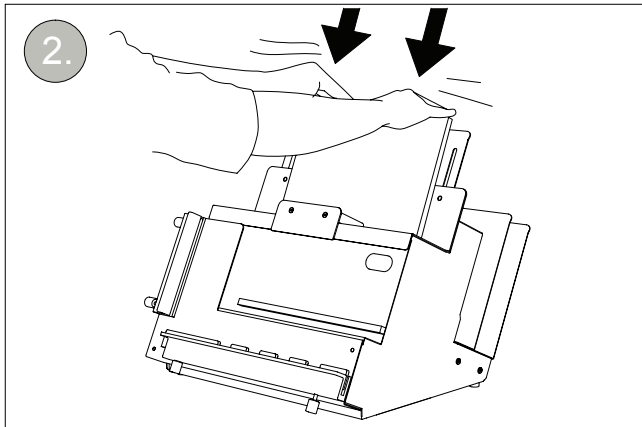
## 8. HOW TO BIND YOUR BOOK (BOOXTER UNO/DUO)



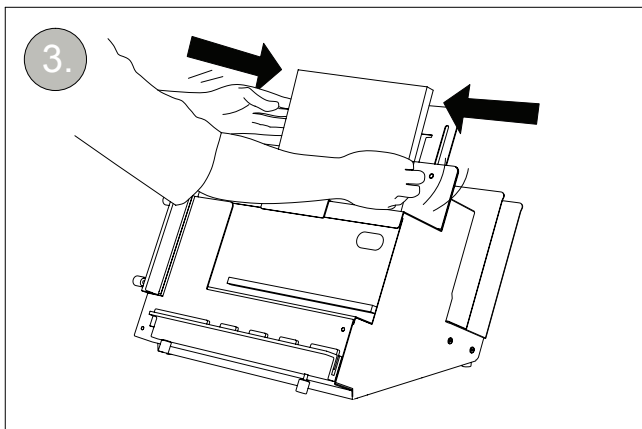
Step 1 is for hard and soft cover books only. If you are making strip backs or simple staple backs, start from step 2.

Place one end sheet on the front and one on the back of your block. Make sure the silicon is facing outwards and the buffer towards the spine.

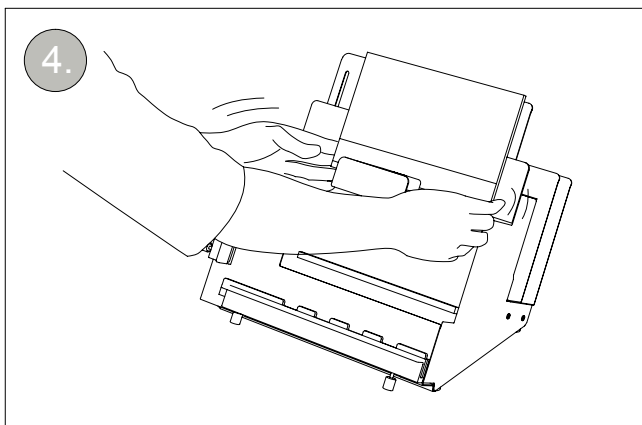
Tip! Store your end sheets in the supply shelves to access them easily.



Jog the paper block against the positioning deck.



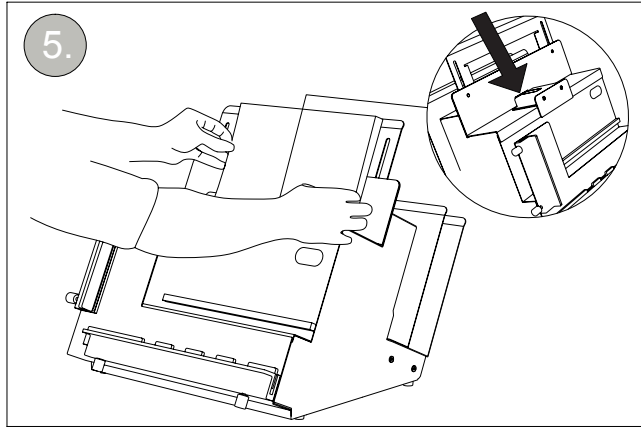
Align the block in the middle of the positioning deck.



Step 4 is for strip back binding only:

Place a strip of suitable length in the position deck and align it in front of the paper block. Make sure the silicon paper is visible and the glue-free area is on the bottom.

## 8. HOW TO BIND YOUR BOOK (BOOXTER UNO/DUO)

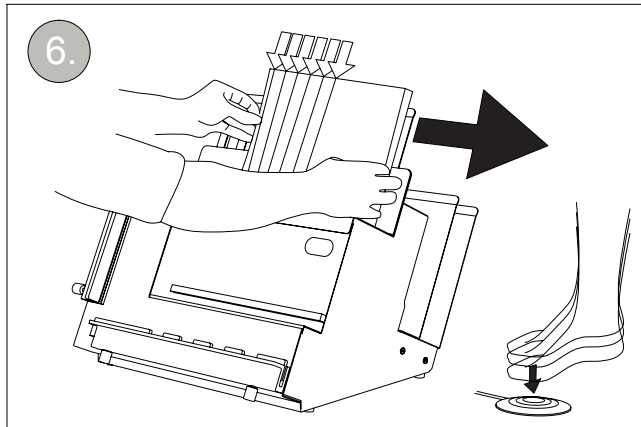
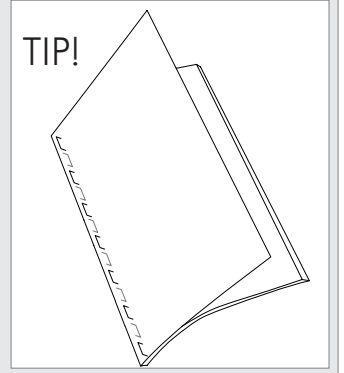
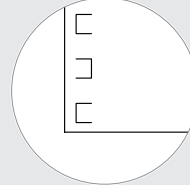


Press the foot pedal to make the first stapling.

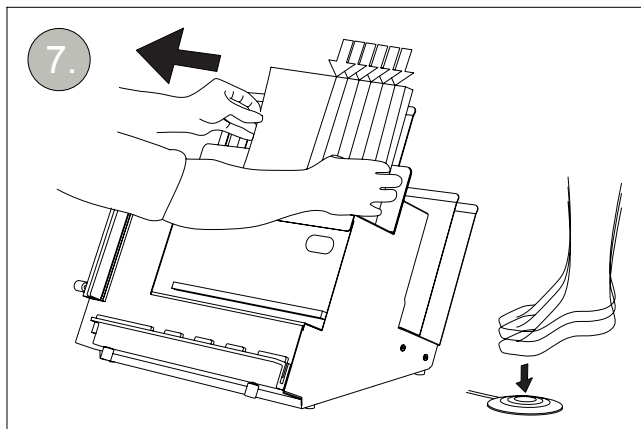
To get stronger binding, staple both sides.

A soft cover also needs a cutting margin, **IF** you finalize binding by cutting!

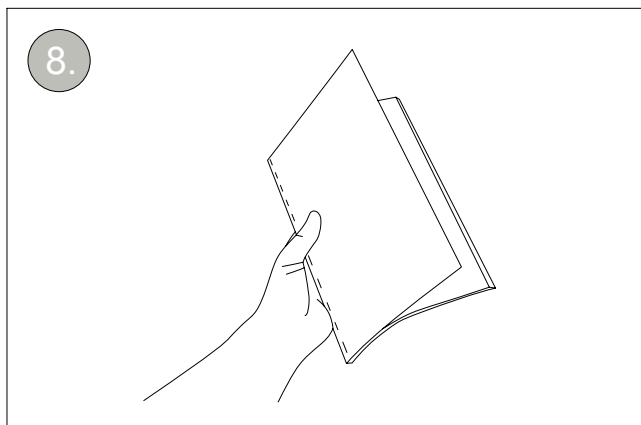
**TIP!**



Move the block and repeat stapling at regular intervals.



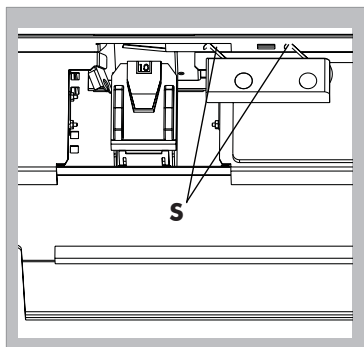
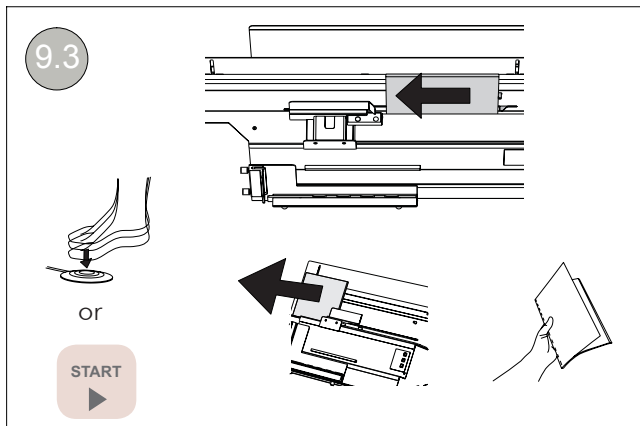
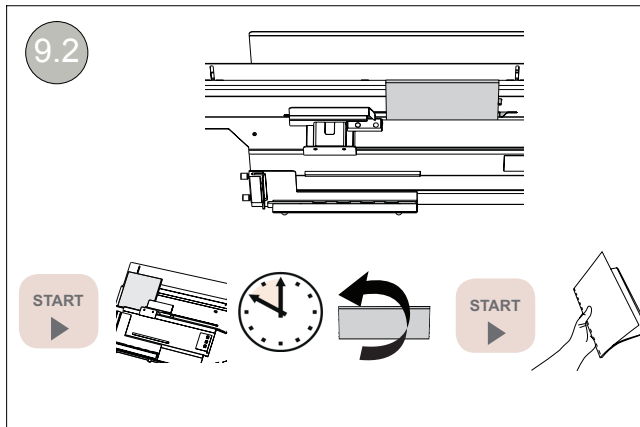
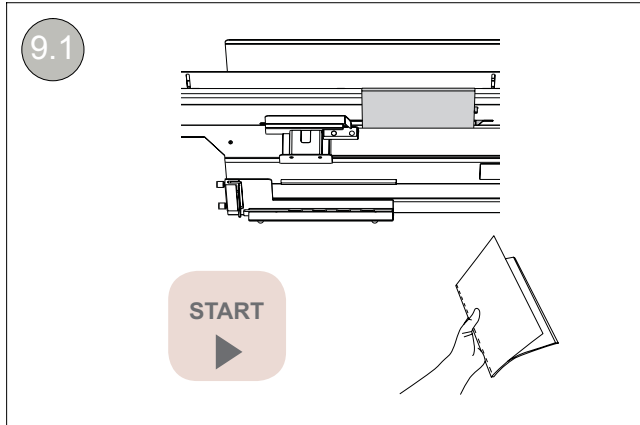
Repeat the stapling in the opposite direction.



Your block is now bound.



## 9. HOW TO BIND YOUR BOOK (BOOXTER TRIO)



### BINDING

When you have selected binding mode:

- Single side, normal staple density or
- Single side, high staple density or
- Ring mechanism

- Press START -button (g).
- Wait until stapling is done and remove ready binding.

When you have selected binding mode:

- Double side, normal staple density
- Double side, high staple density

- Press START -button (g).
- Wait until first side is stapled, carriage returns and stops. At this point START LED begins to blink.
- Flip the block and place it on positioning deck against the carriage and press START -button.
- Wait until stapling is done and remove the ready block.

When you have selected binding mode:

- manual

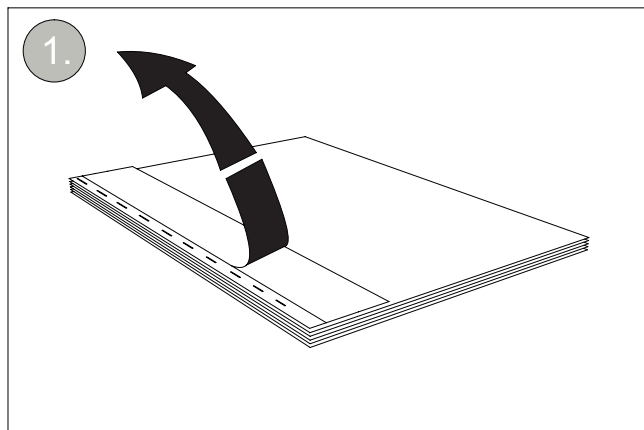
Important ! Guide springs (S) are designed to work so that the paper block is always moved from right to the left. Moving the paper block in the opposite direction may damage the springs.

- Place paper block to the positioning deck and slightly right from the guide bracket.
- Move block from right to the desired starting position and add the first staple by using the foot pedal or pushing the START -button.
- Add more staples until your binding is ready

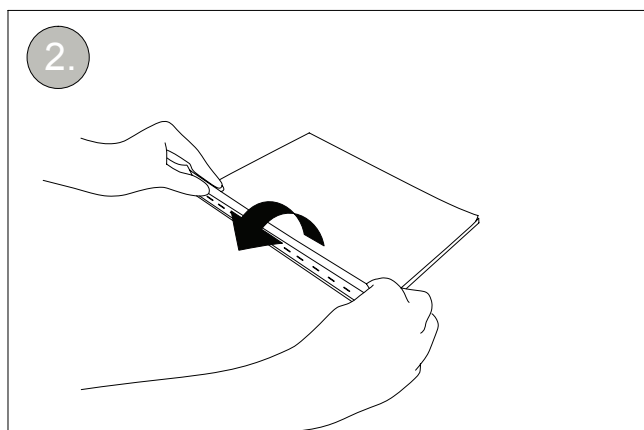
Note! You can bind wider formats when using manual operating mode:

- Unscrew paper guide to remove it.
- Push carriage from left side to turn it away.
- Now you can use wider formats.

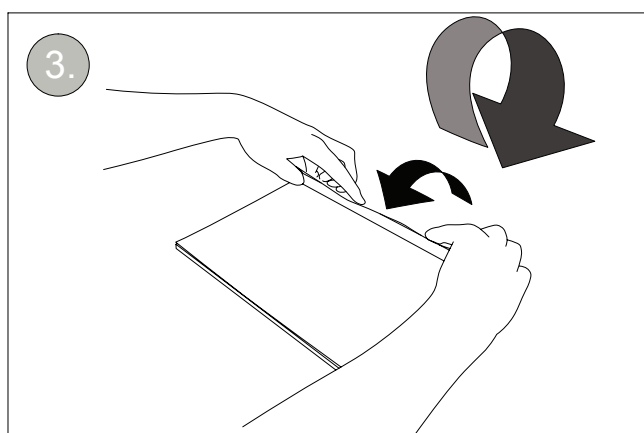
# 10. HOW TO WRAP THE STRIP



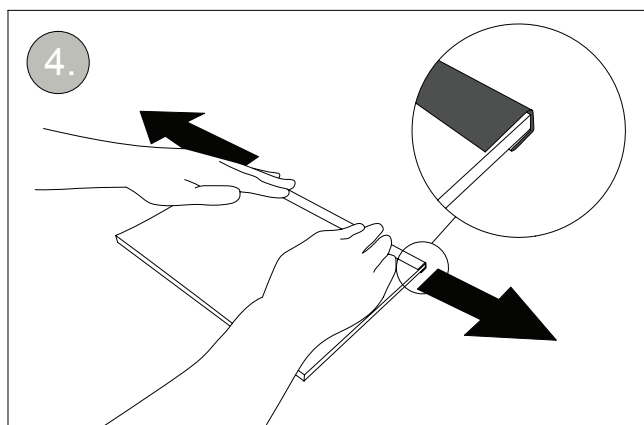
Once the block is bound (see chapters 8 and 9), peel off the silicon paper.



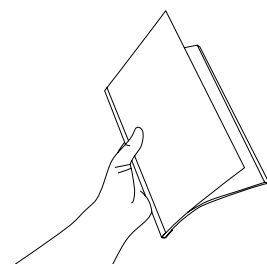
Fold the strip along the crease and press with your fingers together to attach the two surfaces.



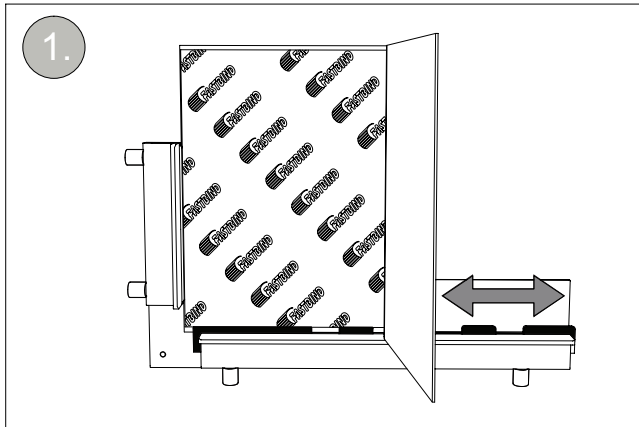
Wrap the strip firmly around the spine against the back cover.



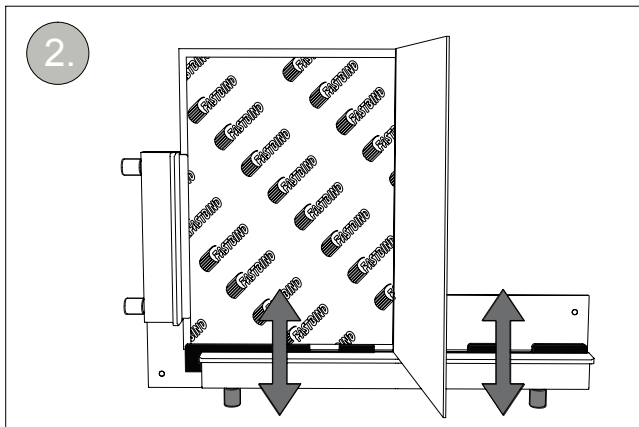
To finish the wrapping, press out any possible air bubbles away and your document is ready.



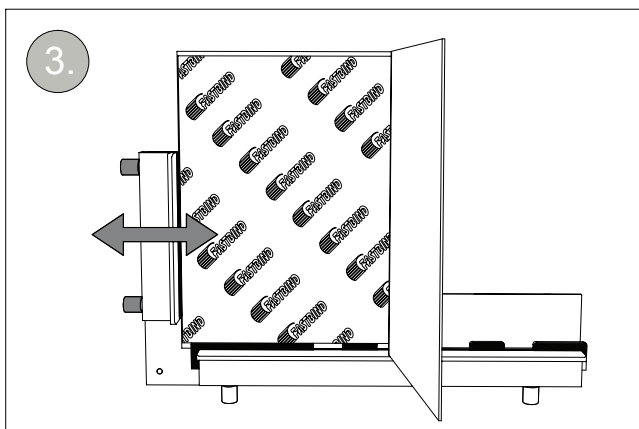
# 11. HOW TO ADJUST THE COVERING UNIT



Move the adjustable bottom guide sideways so that the spine stick of the hard cover sits in one of the slots in the bottom guide.

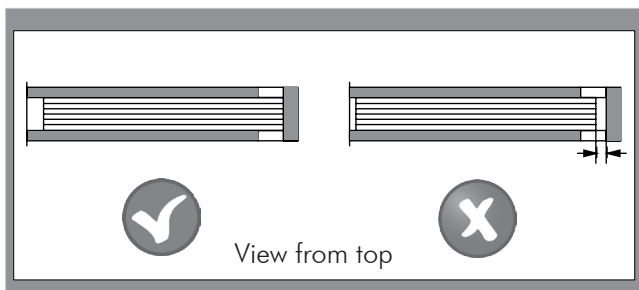


Place book block on bottom guide. Use the thumb screws to adjust the height of the bottom guide. The adjustment is correct when the lower and upper margins are the same size.

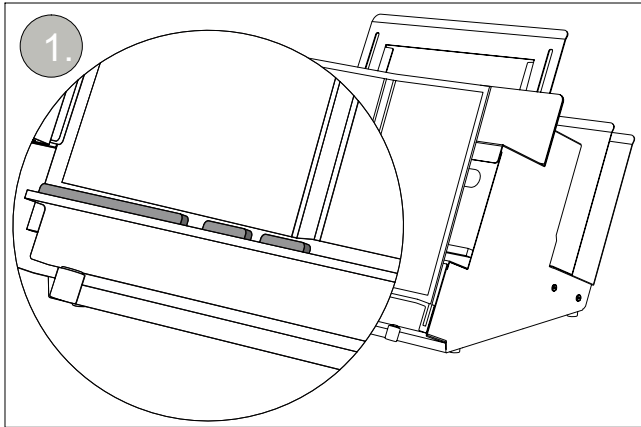


Use the left side thumb screws to adjust the side margin.

Keep the front edge of the hard cover against fixed side guide and turn thumb screws to move stapled block until it touches the cover spine (see the detail picture).

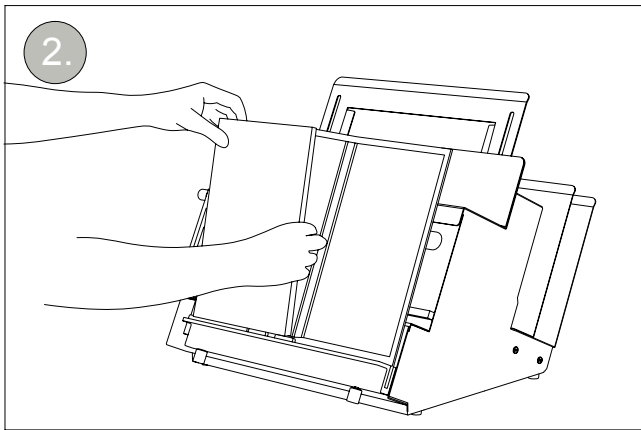


## 12. HOW TO MOUNT THE HARD COVER

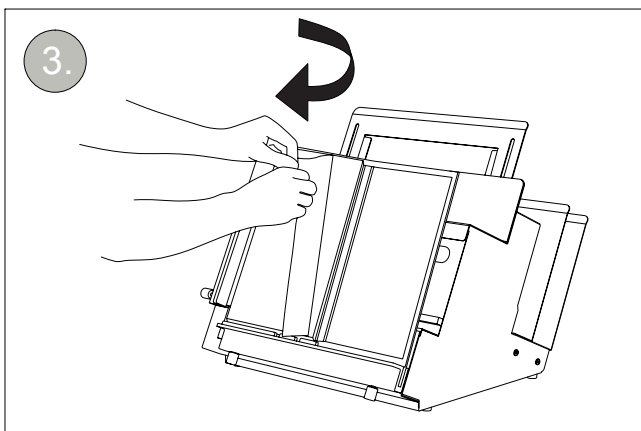


Pre-adjust the covering unit (see chapter 11).

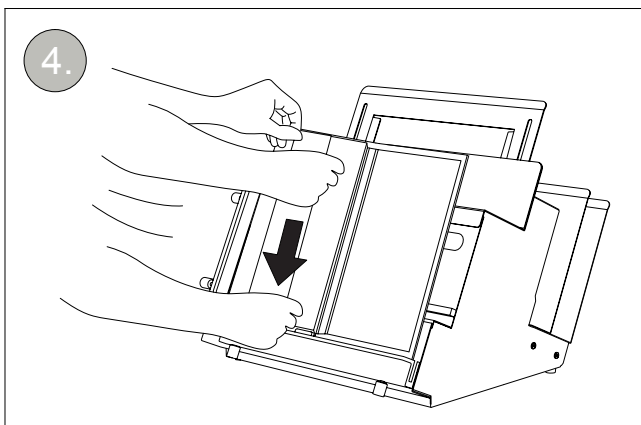
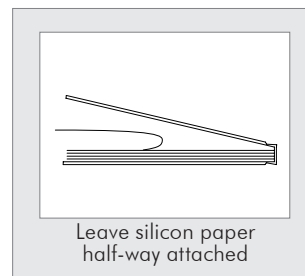
Place the cover against the solid left guide. Place the left side of the cover behind the adjustable bottom guide. Move adjustable bottom guide sideways so that the spine stick of the hard cover sits in one of the gaps of the bottom guide. The right side of the cover is in front of the adjustable bottom guide.



Place the stapled paper block on the adjustable bottom guide, and slide it against the adjustable left guide.

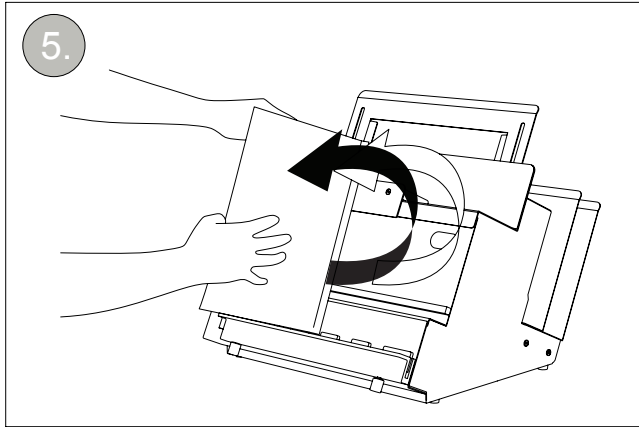


Peel the silicon paper half way.

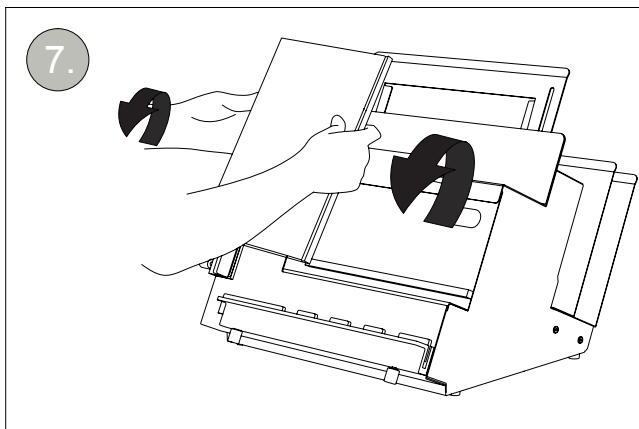
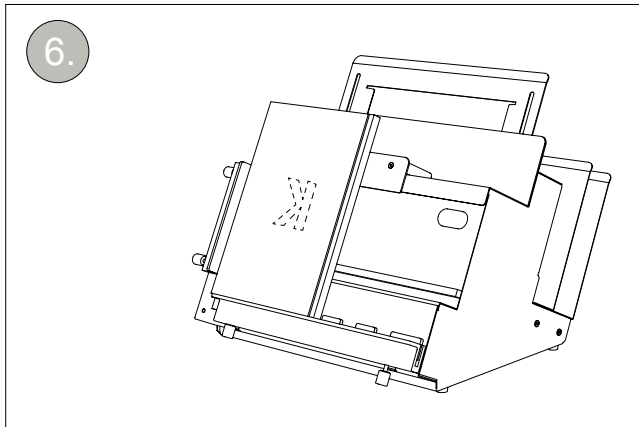
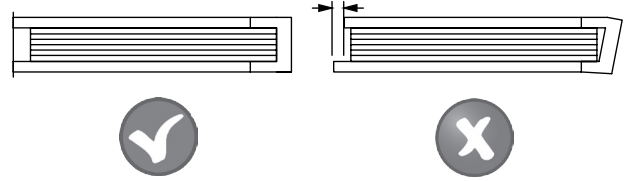


Fold the silicon paper.

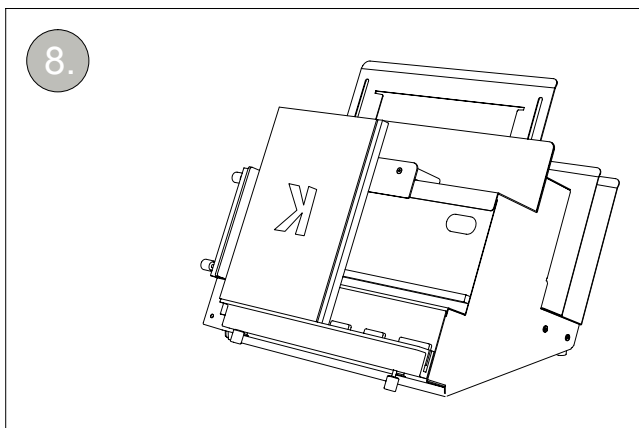
## 12. HOW TO MOUNT THE HARD COVER



Close the cover. Check that the front edges of the cover touch the solid left guide and that the paper block spine contacts the cover spine. Press the cover against the adhesive.

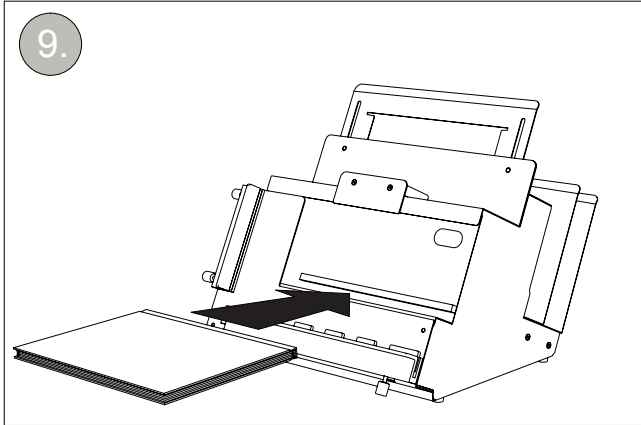


Turn the book around.

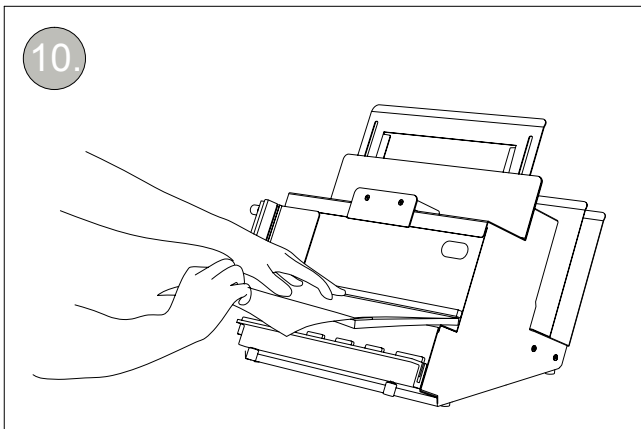
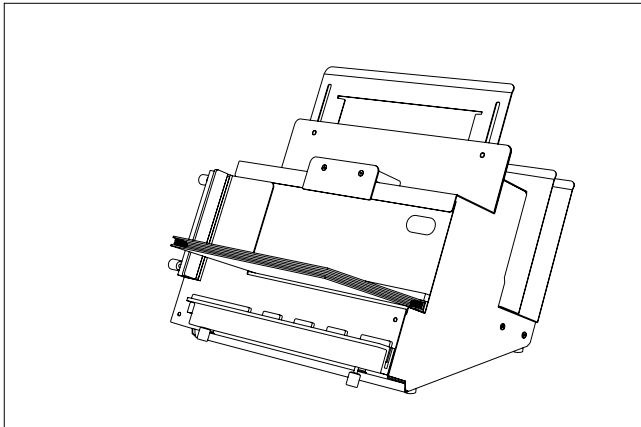


Repeat steps 3-6.

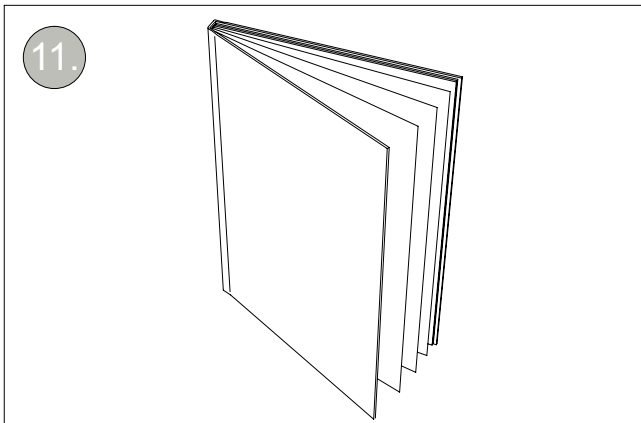
## 12. HOW TO MOUNT THE HARD COVER



Place the book under the support lath.

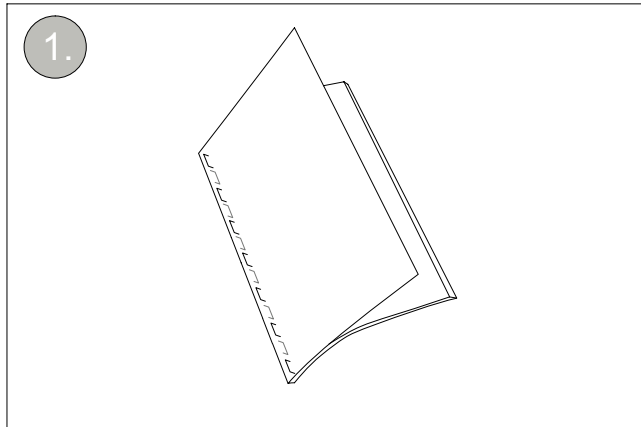


Peel the silicon paper all the way off. Flip the book around and peel off the silicon paper from the other side. Press the cover against the adhesive.

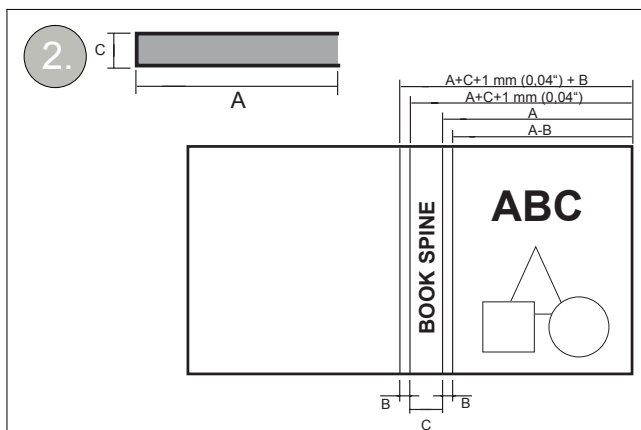


Your book is ready.

# 13. HOW TO MOUNT THE SOFT COVER



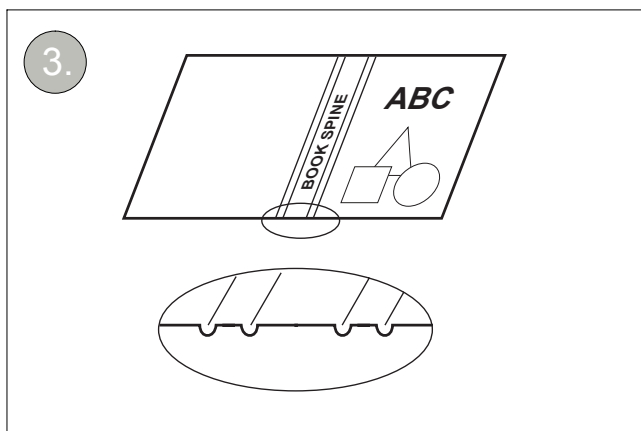
Staple the block with end papers as shown (chapters 8 and 9). For best binding strength, double side stapling is recommended. Remember to leave cutting margins if you finalize the book with a guillotine.



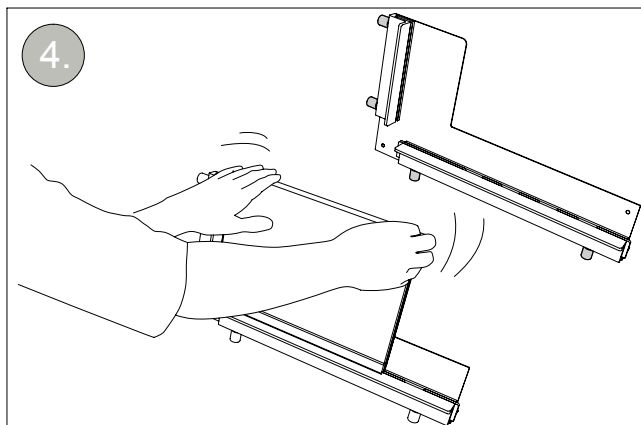
Cover has to be creased according to book block thickness for best result. Start by measuring book block width (A) and thickness (C). Opening crease is for example 7 mm (0,27").

Creases are positioned:

1. 203 mm =  $A - B = 203$  mm ( opening crease )
2. 210 mm = A
3. 223 mm =  $A + C + 1$  mm
4. 230 mm =  $A + C + 1$  mm + B (opening crease)

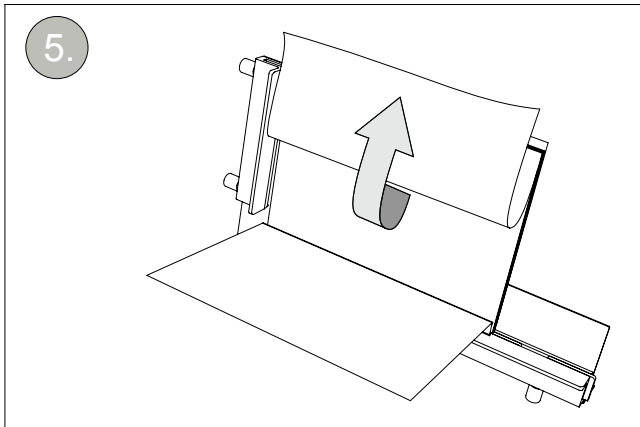


Crease the soft cover from picture side.

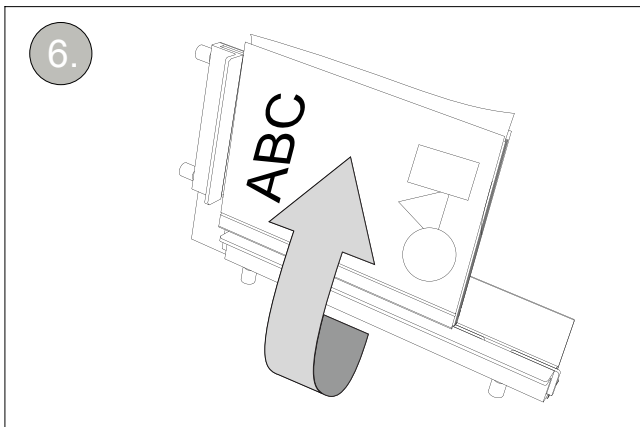


Lower down the adjustable bottom guide to create a right angle where the soft cover is level.

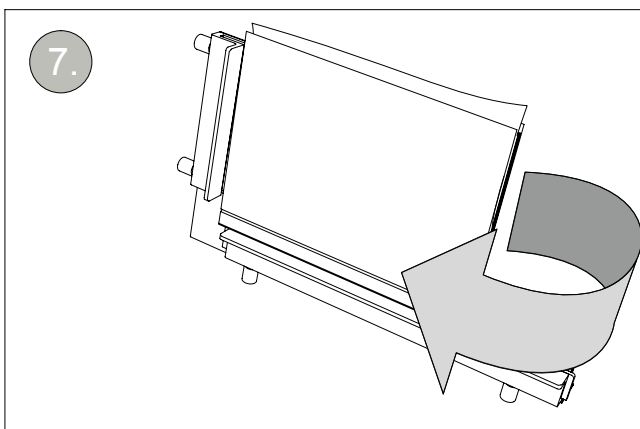
### 13. HOW TO MOUNT THE SOFT COVER



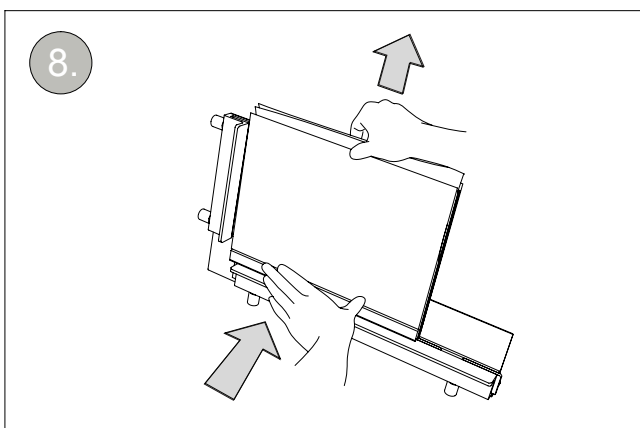
Peel the silicon paper halfway.



Close the cover. Press the cover against the adhesive.



Flip the book around and repeat steps 5-6.



Press the book from the spine to hold it and peel the silicon paper all the way off. To finish the wrapping, press the possible air bubbles away.

Your soft cover book is now ready.



## 14. TROUBLESHOOTING

### **The power does not switch on / the power LED does not come on.**

- Check the power cord connection.
- Check that the power supply is connected.
- Check the fuse.

### **The working light does not light up / The machine is not stapling.**

- Check that the power is on.
- Make sure that the safety cover is installed properly.
- Check the pedal connection.
- Check that there are staples in the cassette. Replace the empty cassette with a new one. The working light is off to indicate that the cassette is almost empty.

### **The staple does not puncture the paper block.**

- Use No 8 cassettes for digital color papers and photographic papers. The maximum binding thickness is 5 mm (depends on materials).
- Use No 10 cassettes for normal office papers. The maximum binding thickness is 8 mm (depends on materials).

## **BOOXTER TRIO ONLY**

### **Book block does not move.**

- The carriage has a hinge and can be turned away. Check that carriage is in correct position.

### **Machine does not fit in the box (transportation).**

- Supply shelf has to be turned around. See the installation chapter.

### **Cannot jog the pages.**

- Check that paper guide is installed.

## 15. INTELLECTUAL PROPERTY RIGHTS AND WARRANTY

---

### COPYRIGHT INFORMATION

---

© 2010 Copyright Maping Co. Reproduction, adaptation or translation without prior written permission is prohibited, except as allowed under applicable copyright laws. The information contained herein is subject to change without notice.

---

### TRADEMARKS

---

Fastbind, BooXTer Uno, BooXTer Duo, BooXTer Trio, BooXTer Uno/Duo/Trio end sheet and BooXTer Uno/Duo/Trio stripe are trademarks and/or registered trademarks of Maping Co.

---

### INTELLECTUAL PROPERTY RIGHTS

---

Fastbind BooXTer Uno, Duo, Trio binders and BooXTer Uno/Duo/Trio end sheets and stripes are based in Maping Co's innovations. To protect its intellectual property rights Maping Co has applied for several patents and design patents (patents pending).

---

### ONE YEAR LIMITED WARRANTY

---

Maping Co warrants this product against defects in material or workmanship as follows:

For the period of twelve months from the date of purchase, repair or replace free of charge, for the original purchaser, any part or parts found by inspection to be defective by our factory authorized service outlet or by the manufacturer in Espoo, Finland. All transportation charges on parts submitted for repair or replacement under this warranty shall be paid for by the purchaser.

All service under this warranty will be furnished and performed by factory authorized service stations or by the manufacturer. Warranty service does not extend the warranty period.

This warranty is limited to the value of the product and it does not cover damage caused by:

- Transportation
- Normal wear and tear
- Neglected or improper maintenance
- Misuse

The warranty will be voided if machine's type plate has been wholly or partially removed or erased.

Maping Co is not responsible for any damages, including but not limited to direct, indirect or consequential damages, loss of material, profit or interruption of business. Maping Co may at any time discharge its warranty by refunding the purchase price and taking back the product.

---

### CONTACT INFORMATION

---

#### **Maping Co**

Kuusiniemi 10, FIN-02710 Espoo, FINLAND  
Tel. +358 9 562 6022, Fax +358 9 562 6215  
Email: support@mapping.com

## 16. DECLARATION OF CONFORMITY

We, Maping Co, hereby declare that the following product:

Machine name: Fastbind BooXTer Uno  
Fastbind BooXTer Duo  
Fastbind BooXTer Trio

Type: Binding machine

The product fulfils the essential safety requirements for CE conformity marking according to the Low Voltage Directive (2006/95/EC) and EMC Directive 2004 /108/EC

Applied standards: EN 60950 - 1:2001 (safety)  
EN 61000 - 6-1:2001 (EMC immunity)  
IEC 61000-4-2  
IEC 61000-4-3  
IEC 61000-4-4  
IEC 61000-4-5  
IEC 61000-4-6

Manufacturer: Maping Co  
Kuusiniemi 10, FIN-02710 Espoo FINLAND  
Tel. +358 9 562 6022 Fax: +358 9 562 6215

Espoo 12.7.2010



---

Lauri Huotari, Managing Director

